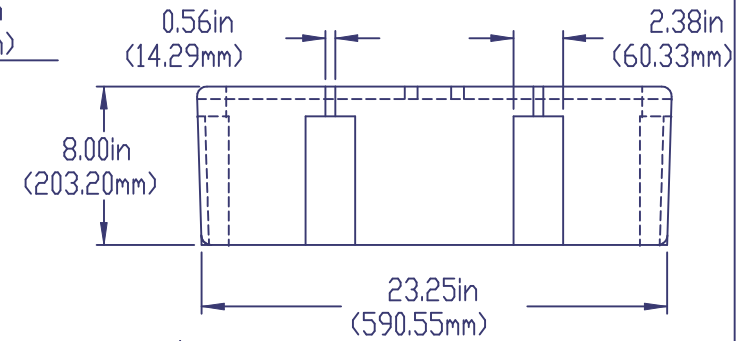
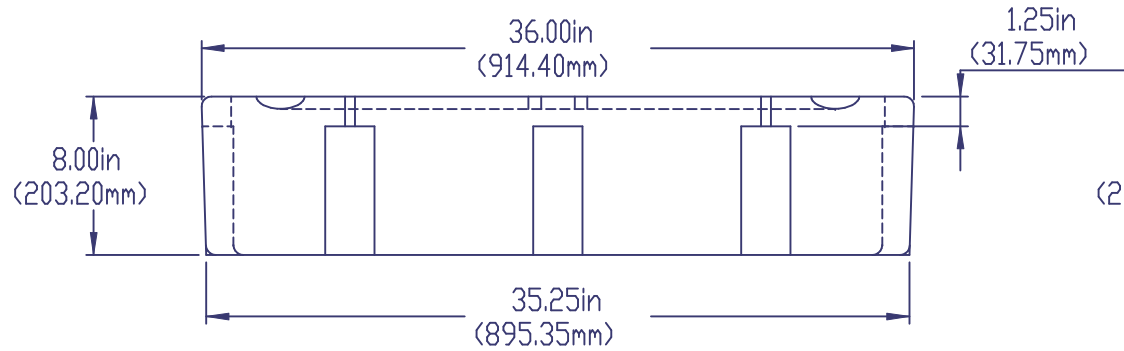
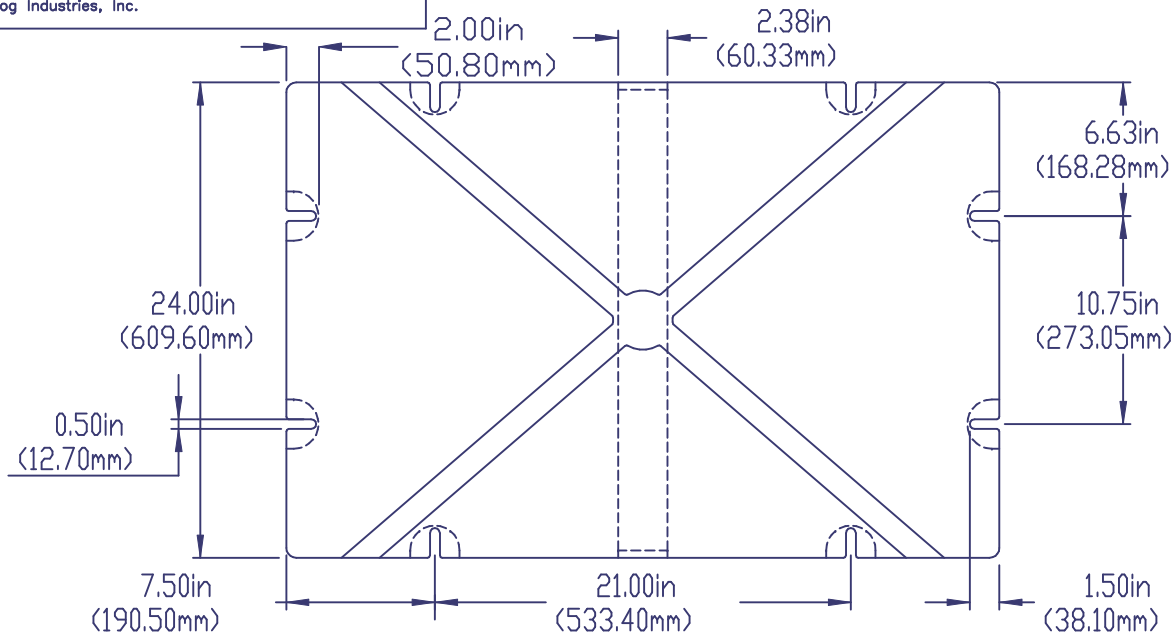


© DEN HARTOG INDUSTRIES, INC.

Copyright. All information furnished within this document, electronic file or design correspondence is the property of Den Hartog Industries, Inc. and shall not be used, disclosed to others or copied without the expressed written consent of Den Hartog Industries, Inc.

DWG NO. 2436-08

SH REV  
C



A NOTE: BUDYANCY 215 LBS.(97.52 KG.)

C	METRIC DIMENSIONS ADDED CCN 1685	11-30-06	ADH	DRAWN	DATE	MATERIAL
B	CHANGE WEIGHT	11-30-06	GWC	REH	12/24/98	POLYETHYLENE
A	ADDED BUDYANCY	11-30-06	GWC	APPROVED	DATE	0.150in (3.81mm) NOM. WALL
REV	DESCRIPTION	DATE	APV/D	ADH	11/5/07	
SCALE NONE				THIRD ANGLE PROJECTION		PART WEIGHT
UDS DIMENSIONS ARE IN INCHES GENERAL TOLERANCES ±1% @ 68F° (20C°)						AF 16 LBS.(7.26 KG.)
						FF 20 LBS.(9.07 KG.)

*ACE ROTO-MOLD*

PART NO. 2436-08

SIZE A DWG NO. 2436-08

REV C