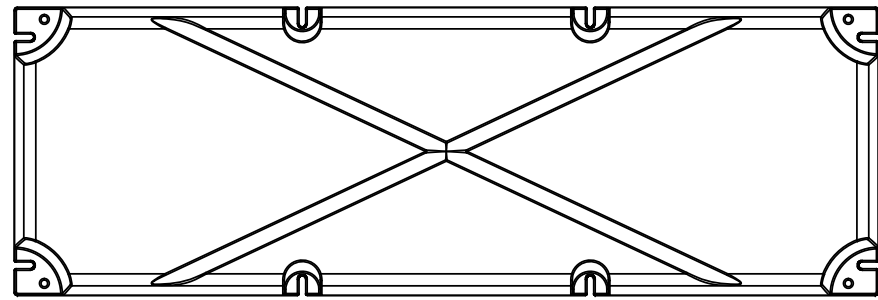
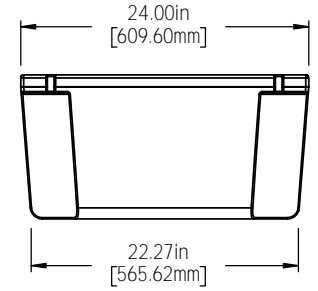
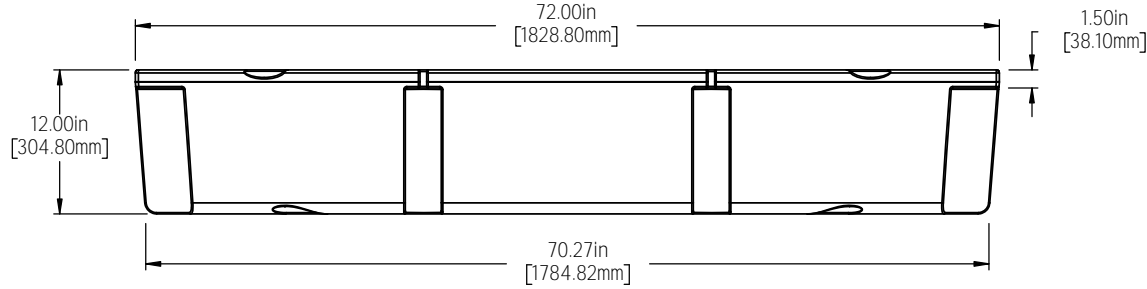
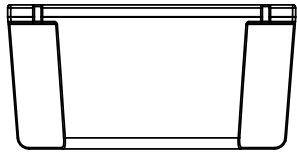
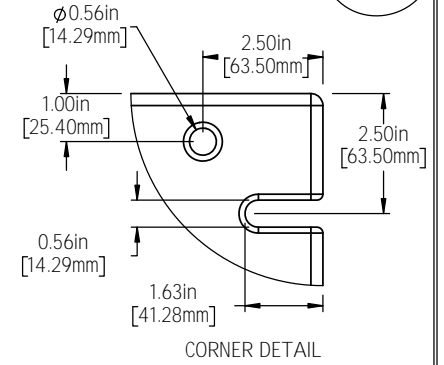
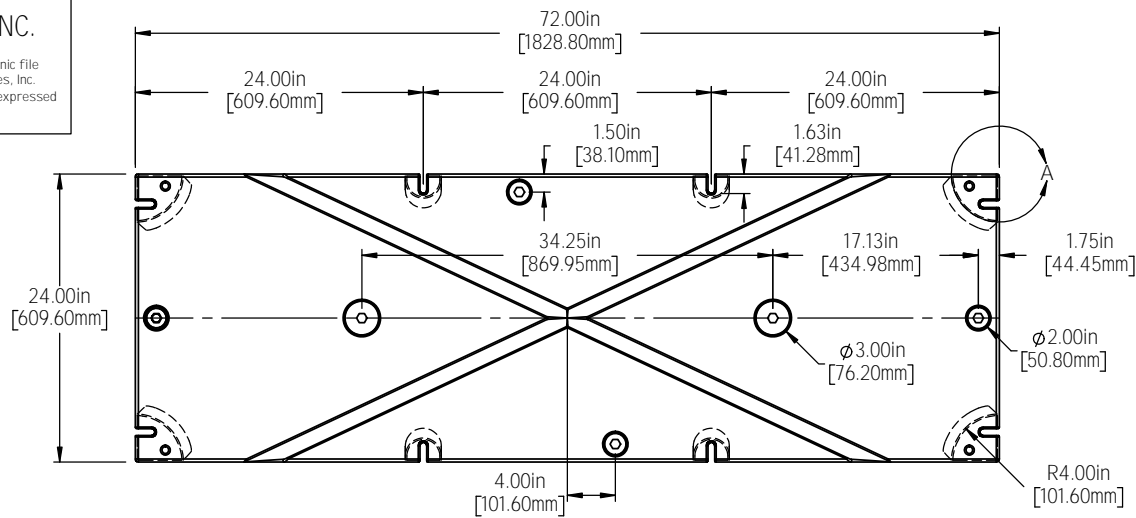


© DEN HARTOG INDUSTRIES, INC.

Copyright. All information furnished within this document, electronic file or design correspondence is the property of Den Hartog Industries, Inc. and shall not be used, disclosed to others or copied without the expressed written consent of Den Hartog Industries, Inc.

2472-12



NOTE: BUOYANCY IS 629.00 LBS.(285.3 KG)

REV	DESCRIPTION	BY / DATE	CCN	DRAWN / DATE ADH 12/28/15	MATERIAL POLYETHYLENE
				APPRD. / DATE REH 3/8/16	
ALL DIMENSIONS ARE IN DECIMAL INCHES TOLERANCES UNLESS OTHERWISE SPECIFIED		THIRD ANGLE PROJECTION ANSI 14.5M		SHOT WEIGHT: 34.0 LBS	NOTES: 1.) AF = 34.0 LB.(14.1 KG) 2.) FF = 44 LB. (20.0 KG)
POLYETHYLENE ±1% @ 68°F		METAL DECIMAL ± .125" FRACTION ± 1/4" ANGLE ± 1°		SHIPPING WEIGHT: SEE NOTES	FINISH:



Den Hartog
INDUSTRIES, INC.

Ace Roto-Mold Injection Molding Blow Molding Sowjoy

4010 HOSPERS DRIVE S. BOX 425, HOSPERS, IOWA 51238-0425

DESCRIPTION	24 x 72 x 12 FLOAT	
SCALE	N.S.	PART NO. 2472-12