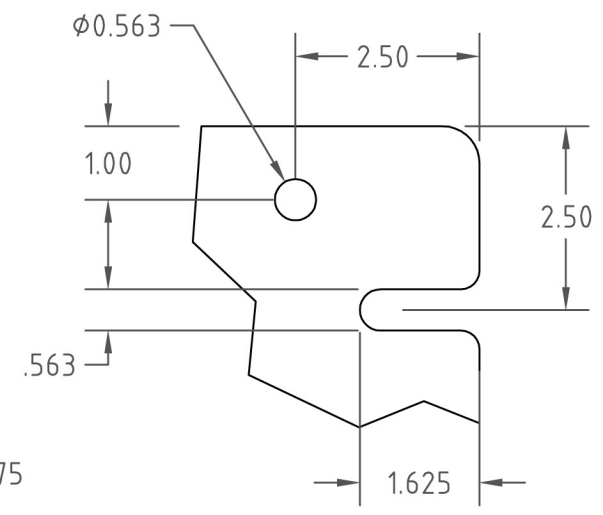
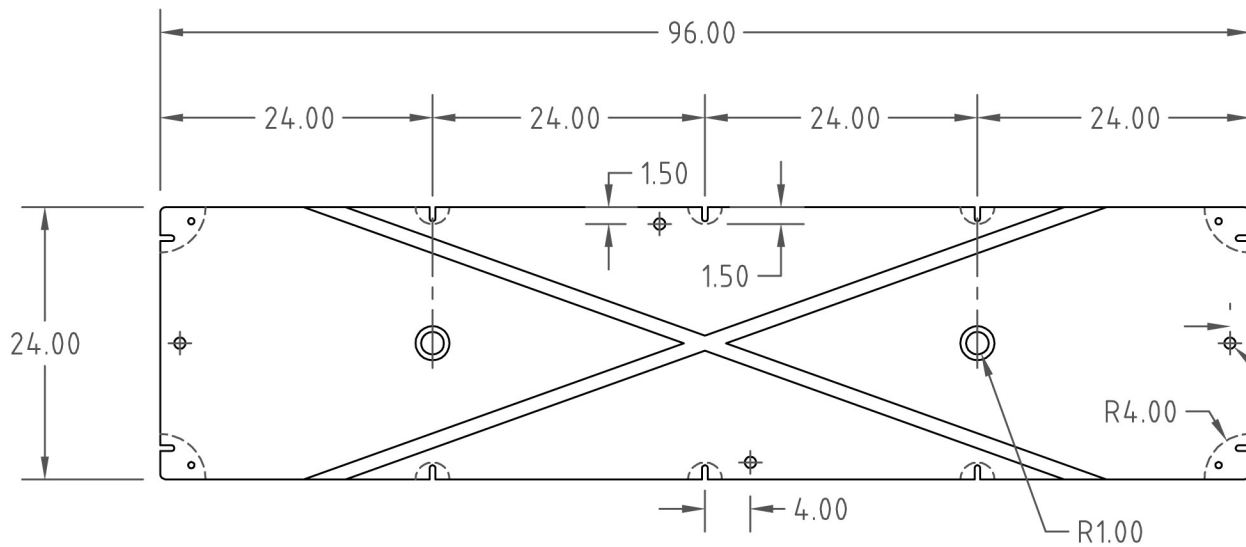


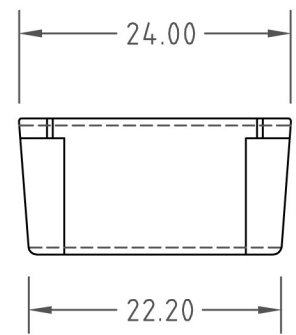
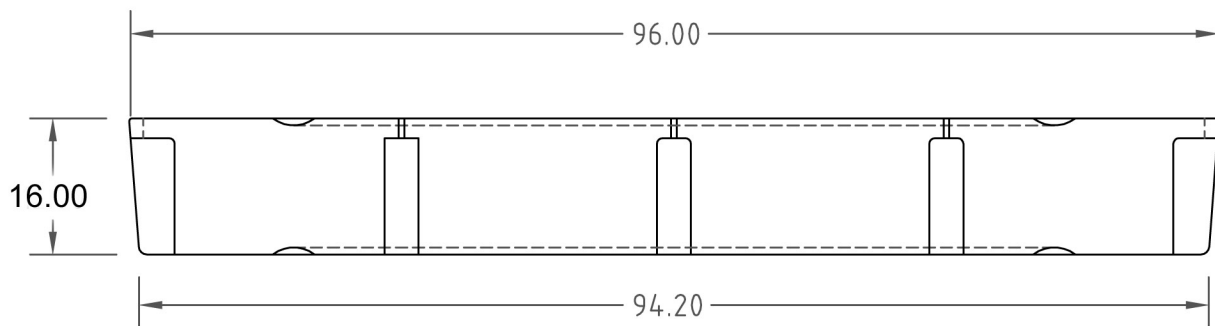
**PROPRIETARY DATA**

INFORMATION FURNISHED HEREIN IS THE PROPERTY OF DEN HARTOG INDUSTRIES INC. AND SHALL NOT BE USED, DISCLOSED TO OTHERS, OR COPIED WITHOUT EXPRESSED WRITTEN CONSENT OF DEN HARTOG IND. ALL RIGHTS RESERVED.


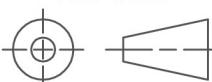
2496-16



CORNER DETAIL



BUOYANCY = 1140 lbs

		DRAWN /DATE DHJ 9/19/07		MATERIAL FLOAT DRUM BLACK		 <b>Ace Roto-Mold</b> A DIVISION OF DEN HARTOG INDUSTRIES, INC. 4010 HOSPERS DRIVE SOUTH, BOX 425, HOSPERS, IOWA 51238	
		APPRD. /DATE REH 12/5/07					
REV	DESCRIPTION	DATE	APPRD.	THIRD ANGLE PROJECTION ANSI 14.5M		CLIENT / DESCRIPTION 24 x 96 x 16 FLOAT DRUM	
ALL DIMENSIONS ARE IN DECIMAL INCHES TOLERANCES UNLESS OTHERWISE SPECIFIED ± 1 % @ 68°F						NOTES: AF = 56 LBS. FF = 74 LBS.	
				SCALE NONE		PART NO. 2496-16	