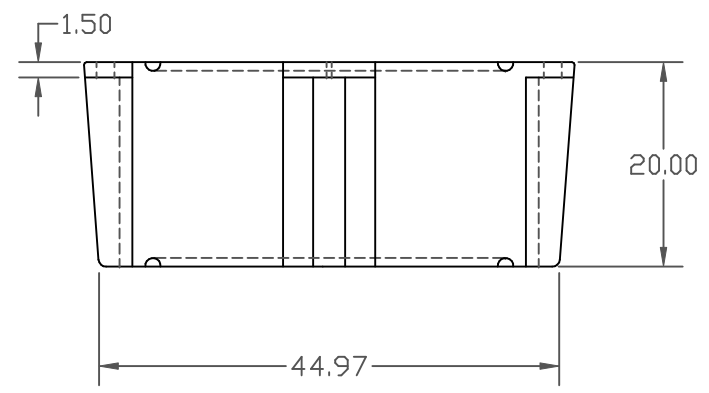



1 - 11 1/2 NPT



© DEN HARTOG INDUSTRIES, INC.
 Copyright. All information furnished within this document, electronic file or design correspondence is the property of Den Hartog Industries Inc. and shall not be used, disclosed to others or copied without the expressed written consent of Den Hartog Industries, Inc.

			DRAWN /DATE DHJ 12/17/03	MATERIAL / SHOT WEIGHT	 <h1>Ace Roto-Mold</h1> <p>A DIVISION OF DEN HARTOG INDUSTRIES, INC.</p>
B	CHANGE PART # ADD SQ	5/17/04	APPRD. /DATE	93 LBS.	
A	CHANGE WEIGHT	5/17/04	ADH 11/7/07		NOTES: APPROXIMATE BUOYANCY 1301 LBS.
REV	DESCRIPTION	DATE APPRD.		SCALE NONE	
ALL DIMENSIONS ARE IN DECIMAL INCHES TOLERANCES UNLESS OTHERWISE SPECIFIED ±1% @ 68° F			THIRD ANGLE PROJECTION ANSI 14.5M 