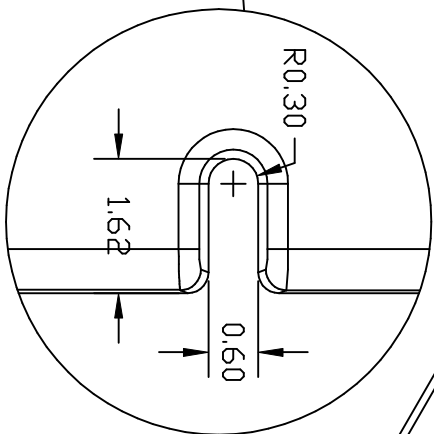
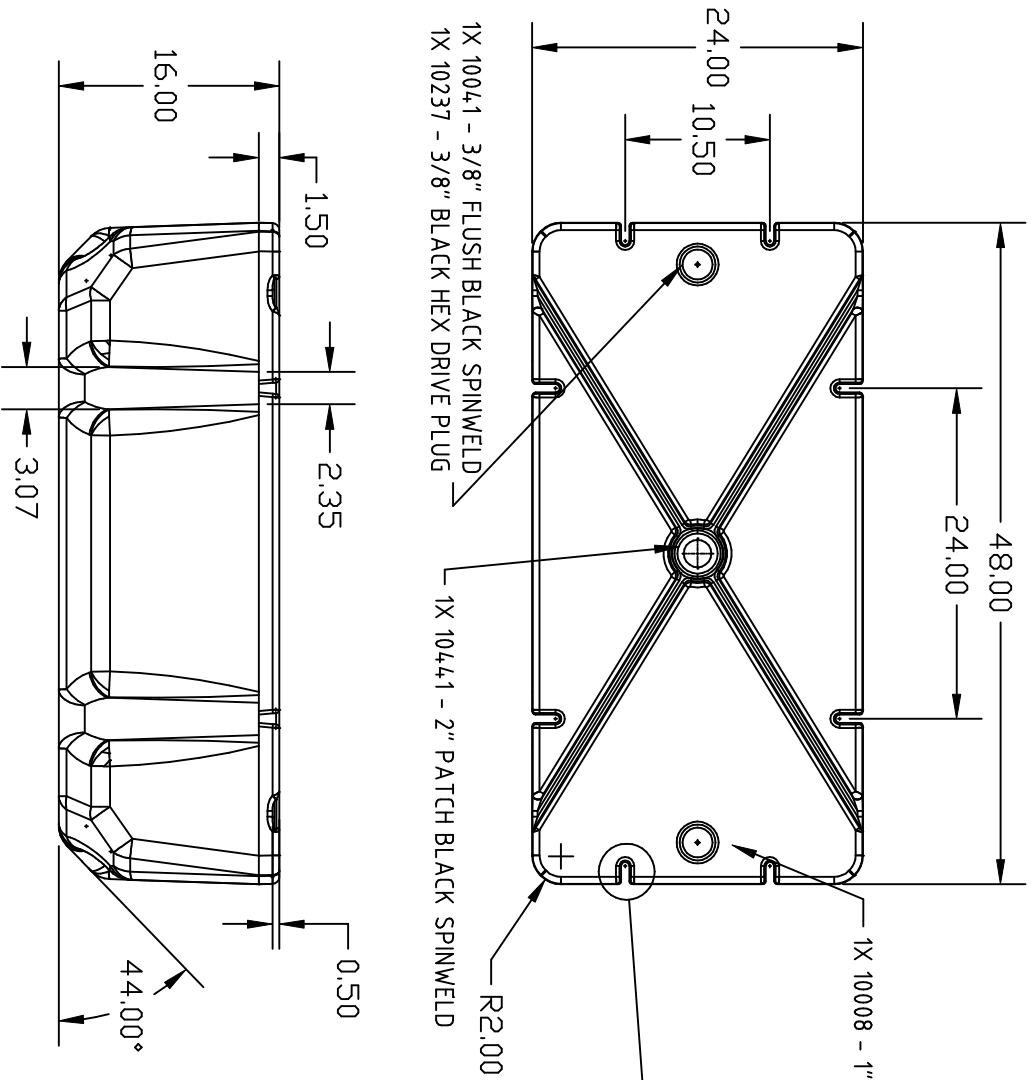


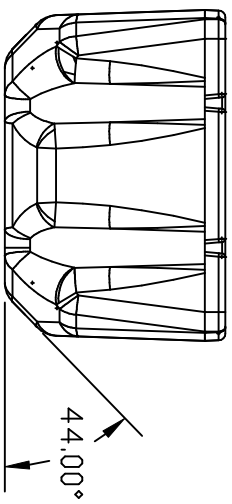
PROPRIETARY DATA

PROPERTY OF ACE ROTO-MOLD MFG., INC. INFORMATION FURNISHED HEREIN IS THE PROPERTY OF ACE ROTO-MOLD MFG., INC. AND SHALL NOT BE USED, DISCLOSED TO OTHERS, OR COPIED WITHOUT THE EXPRESSED WRITTEN CONSENT OF ACE ROTO-MOLD MFG., INC. ALL RIGHTS RESERVED.

FFBM2448-16



SCALE: 6:1



DRAWN / DATE		MATERIAL	
NVE 7/20/05		#80001 B/M PELLET	
APPRD. / DATE			
REH/7/26/05			
REV	DESCRIPTION	DATE	APPRD

THIRD ANGLE PROJECTION
ANSI X.3M

NOTES:

1. NOM. WALL @ .150
2. SHOT WEIGHT 25 LBS.
3. BLACK COLOR


ACE ROTO-MOLD
 A DIVISION OF DEN HARTOG INDUSTRIES, INC.
 4018 HWY. 60 BLVD., BOX 421, HOSPERS, IOWA 51238

CLIENT / DESCRIPTION: 16 INCH HIGH FLOAT
 FOAM FILLED

SCALE	N.S.	PART NO.	FFBM2448-16
-------	------	----------	-------------

ALL DIMENSIONS ARE IN DECIMAL INCHES
TOLERANCES UNLESS OTHERWISE SPECIFIED

$$\pm 1\% @ 68^\circ F$$