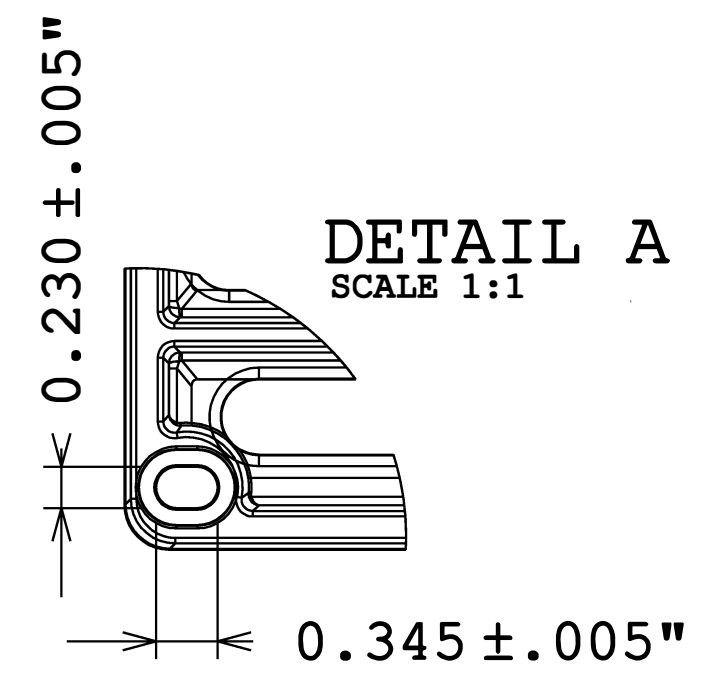
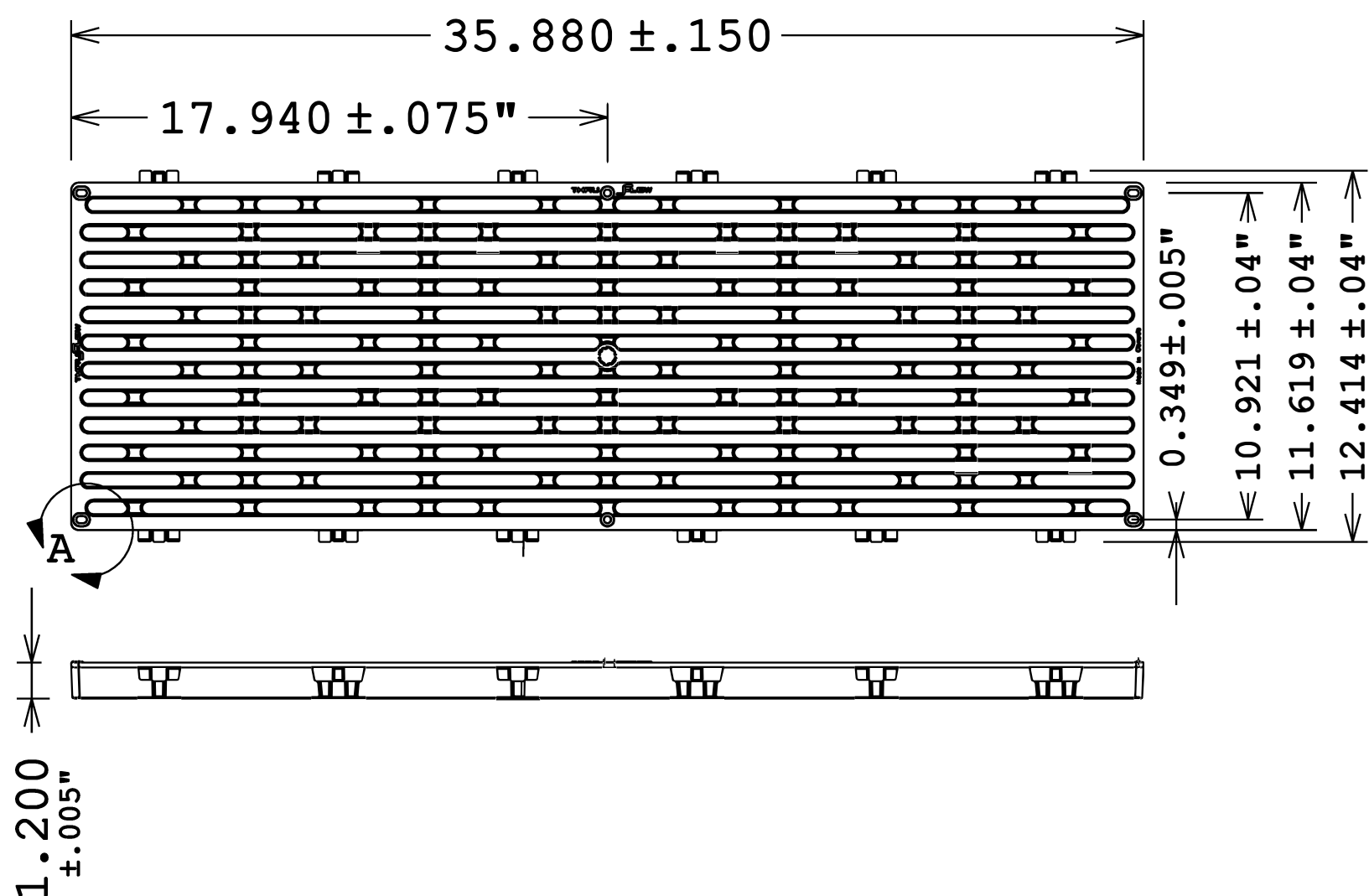
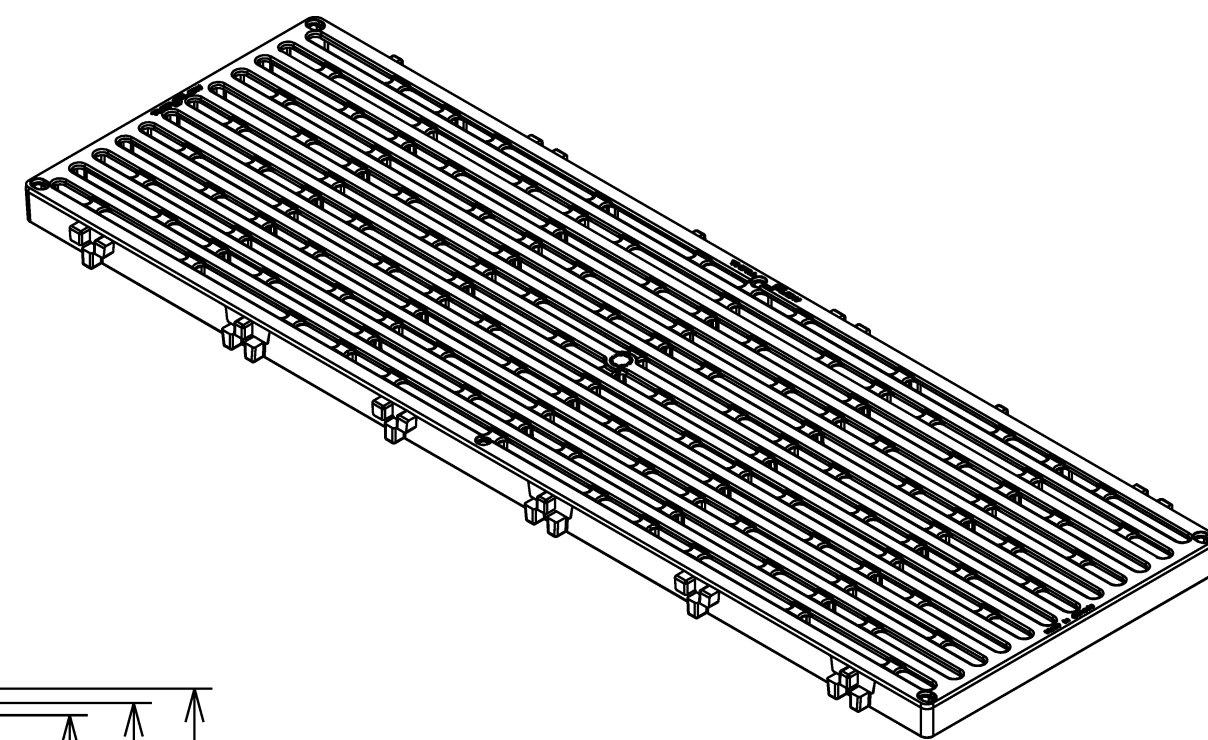


# THRU-FLOW LEGACY SERIES

REV	DESCRIPTION	ECN	DRWN	DATE	APPROVED



NOTES: TEXTURE NOT SHOWN  
TEXTURE ADDS 0.015" TO PART HEIGHT  
FASTENING SLOTS ARE SYMMETRICAL

UNLESS OTHERWISE SPECIFIED  DIMENSIONS ARE IN INCHES TOLERANCES: FRACTIONAL ANGULAR: MACH ± BEND ± TWO PLACE DECIMAL ± THREE PLACE DECIMAL ±  MATERIAL  FINISH NON-SLIP TEXTURE  DO NOT SCALE DRAWING	DRAWN	NAME	DATE	PART FILE TF 2002 3x1 Legacy 4G.stp	
	CHECKED			TITLE Legacy 3ft	
	ENG APPROVAL			SIZE B	REV
	MFG APPROVAL			SCALE 1:5	WEIGHT
	QA APPROVAL			SHEET 1 OF 1	