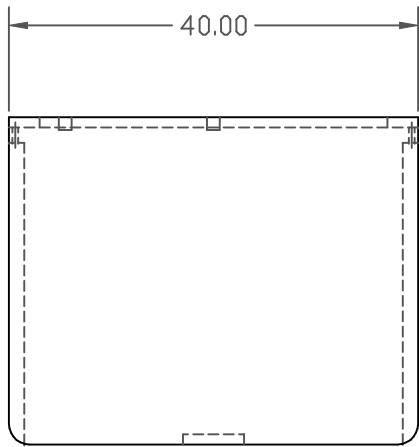
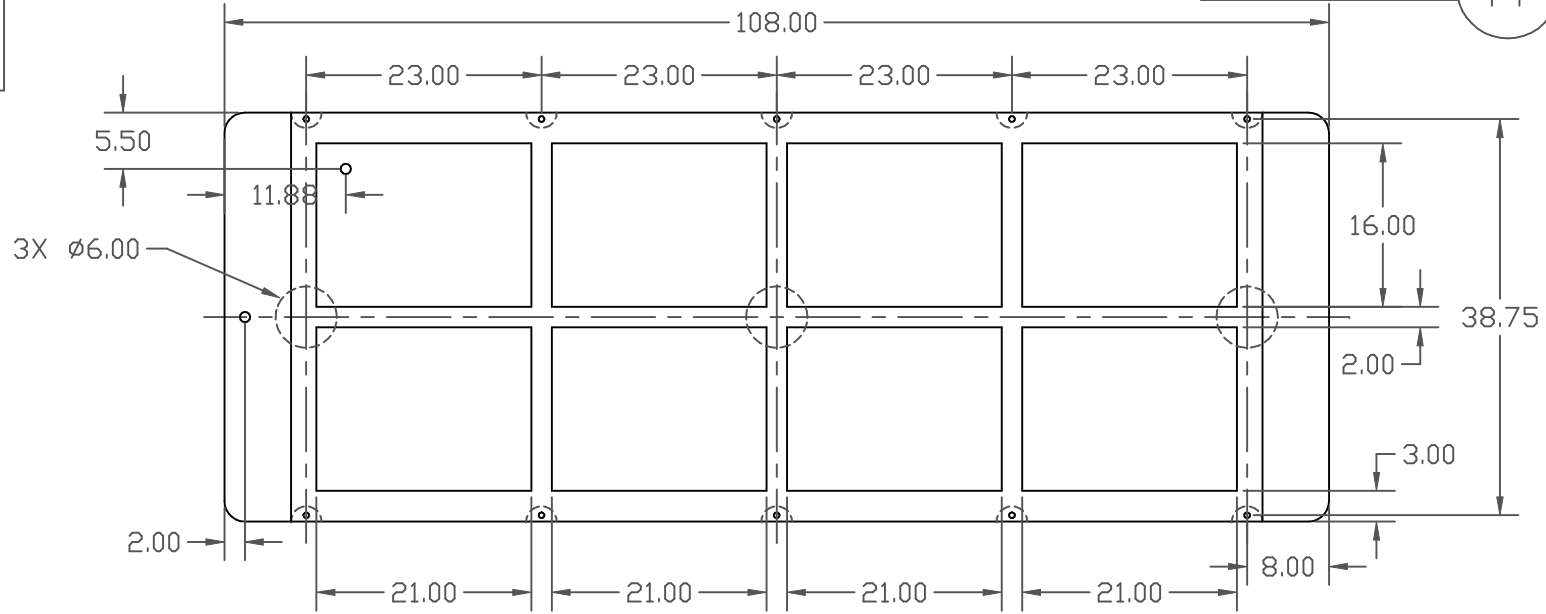


© DEN HARTOG INDUSTRIES, INC.

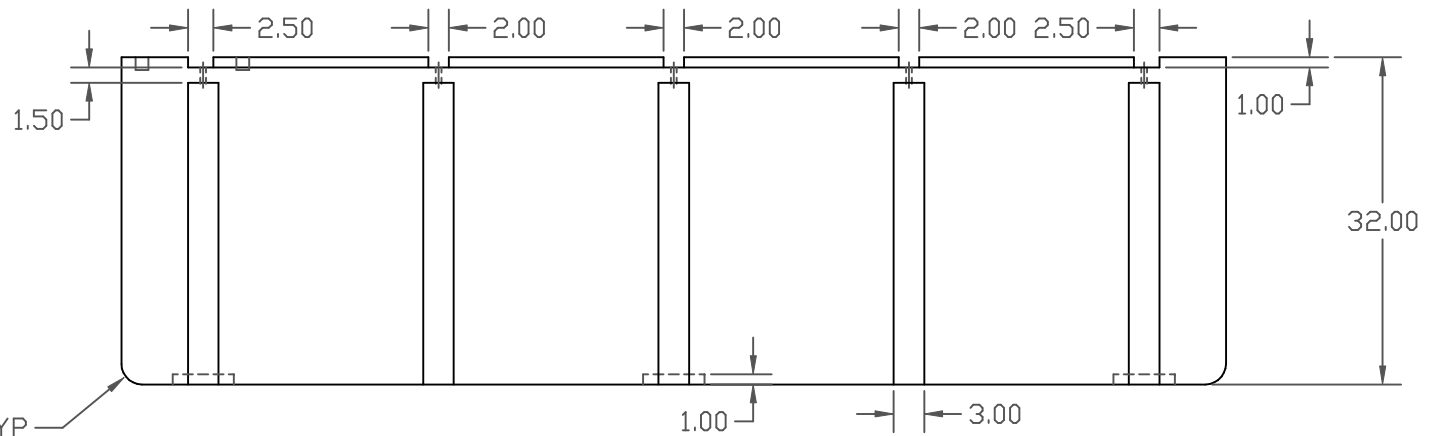
Copyright. All information furnished within this document, electronic file or design correspondence is the property of Den Hartog Industries Inc. and shall not be used, disclosed to others or copied without the expressed written consent of Den Hartog Industries, Inc.

AT 3240-108SQ

A



R 2.00 TYP



A	ADD BUOYANCY	8/27/03
REV	DESCRIPTION	DATE APPRD.

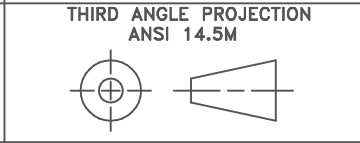
DRAWN /DATE	DHJ/ 3/13/03
APPRD. /DATE	ADH/ 11/7/07

MATERIAL / SHOT WEIGHT	BLACK 230LBS. .375 WALL
------------------------	----------------------------


**Ace Roto-Mold**  
 A DIVISION OF DEN HARTOG INDUSTRIES, INC.

CLIENT / DESCRIPTION

ALL DIMENSIONS ARE IN DECIMAL INCHES  
TOLERANCES UNLESS OTHERWISE SPECIFIED  
±1% @ 68° F



NOTES:  
APPROXIMATE  
BUOYANCY  
4500 LBS.

SCALE	PART NO.
NONE	AT 3240-108SQ