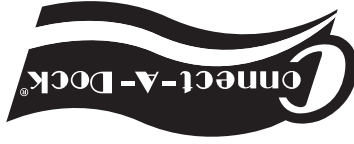
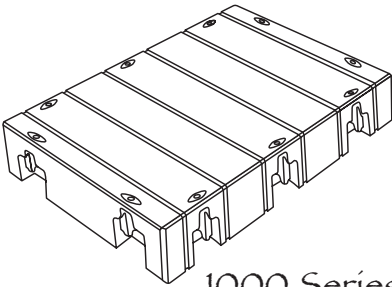


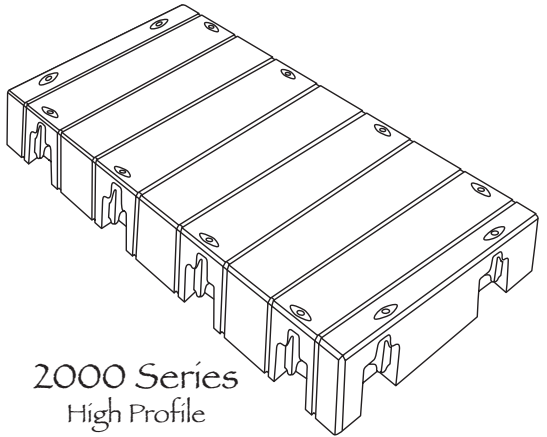
Connect-A-Dock® Inc. | 1501 Owner Avenue | Atlantic, IA 50022 USA  
Toll Free 877-742-3071 | Phone 641-742-3071 | Fax 712-243-2469  
www.connectadock.com



PLEASE KEEP THIS WARRANTY FOR YOUR RECORDS



1000 Series  
Low Profile



2000 Series  
High Profile

# Warranty

# Connect-A-Dock Limited Warranty (Components)

Connect-A-Dock Inc. (the "Company") makes the warranty described below to the original purchaser of polyethylene plastic components for a floating dock system manufactured by the Company (the "Product"), provided the original purchaser of the Product completes the information requested in the Connect-A-Dock Limited Warranty Registration Card (the "Registration Card"), forwards the Registration Card to the Company at the Company's address specified in the Registration Card, and the Company receives the Registration Card within 30 days of the date of purchase of the Product. An original purchaser meeting these conditions is hereinafter referred to as a "Qualified Purchaser". IF THE REGISTRATION CARD IS NOT RECEIVED BY THE COMPANY WITHIN 30 DAYS OF THE PURCHASE DATE, THE COMPANY MAKES NO EXPRESS WARRANTIES AS TO THE PRODUCT.

The Company warrants to a Qualified Purchaser that the Product (a) conforms to Connect-A-Dock Inc.'s published specifications and (b) shall be free from defects in material and workmanship under normal installation, use and service for a period of 96 months from the date of original purchase from the Company. This warranty does not include damage to or defects in the Product arising from: (i) fire, flood, wind, lightning or other acts of God; (ii) failure to provide a suitable installation environment; (iii) accident; (iv) abuse or misuse; (v) improper handling, installation or operation; or (vi) repair, maintenance, alteration, modification or tampering of or to the Product by the Qualified Purchaser or any other person or entity other than the Company. This limited warranty also does not apply to damage or defects affecting the outer appearance of the Product such as, without limitation, deterioration, scratches or chips arising from exposure to petroleum products, including gasoline, or intense exposure to sunlight or other ultraviolet rays. This limited warranty does not cover removal of Product, installation of replacement products or components thereof or shipping costs for any replacement parts or components. No employee of Connect-A-Dock Inc. or any other party is authorized to make any warranty in addition to the foregoing.

If the Product should prove defective during the warranty period, the Company will replace the Product or refund the purchase price, in its sole discretion, provided the Qualified Purchaser forwards to the Company proof of purchase in the form of a bill of sale or receipted invoice which evidences the Product is within the Limited Warranty period and a brief description of the complaint, to: **Connect-A-Dock Inc., Attention: Sales Department, 1501 Owner Avenue, Atlantic, Iowa 50022 or call 641-742-3071 or toll free 877-742-3071.**

In some instances the Company may require that you provide a photograph of the Product in question, and in some cases the Company may require that, at your expense, you return the Product to the Company or the original place of purchase, either in the Product's original packaging or packaging affording an equal degree of protection, shipping prepaid. The Company shall have no liability or responsibility whatsoever, and this limited warranty is not applicable to, damages to or loss of the Product arising during shipment of the Product to the Company for servicing, or return of the Product by the Company to the Qualified Purchaser.

EXCEPT TO THE EXTENT PROHIBITED BY LAW, ANY IMPLIED WARRANTIES APPLICABLE TO THE PRODUCT INCLUDING, WITHOUT LIMITATION, THE IMPLIED WARRANTY OF MERCHANTABILITY AND FITNESS FOR A PARTICULAR PURPOSE, ARE LIMITED IN DURATION TO A PERIOD OF 96 MONTHS FROM THE DATE OF ORIGINAL PURCHASE OF THE PRODUCT.

Some States do not allow limitations on how long an implied warranty lasts, so the above limitation may not apply to you.

THE LIMITED EXPRESS WARRANTY MADE HEREIN TO THE QUALIFIED PURCHASER IS IN LIEU OF ALL OTHER EXPRESS WARRANTIES. THE QUALIFIED PURCHASER'S SOLE AND EXCLUSIVE REMEDY HEREUNDER SHALL BE REPLACEMENT AS EXPRESSLY PROVIDED ABOVE.

IN NO EVENT SHALL THE COMPANY BE LIABLE FOR ANY SPECIAL, INCIDENTAL OR CONSEQUENTIAL DAMAGES WHATSOEVER, WHETHER ARISING OUT OF THE USE OF OR INABILITY TO USE THE PRODUCT FOR ANY REASON AND FOR ANY PURPOSE WHATSOEVER.

Some States do not allow the exclusion of incidental or consequential damages, so the above limitation may not apply to you.

This warranty gives you specific legal rights, and you may also have other rights which vary from State to State.

Warranty valid only in U.S.A. and Canada.